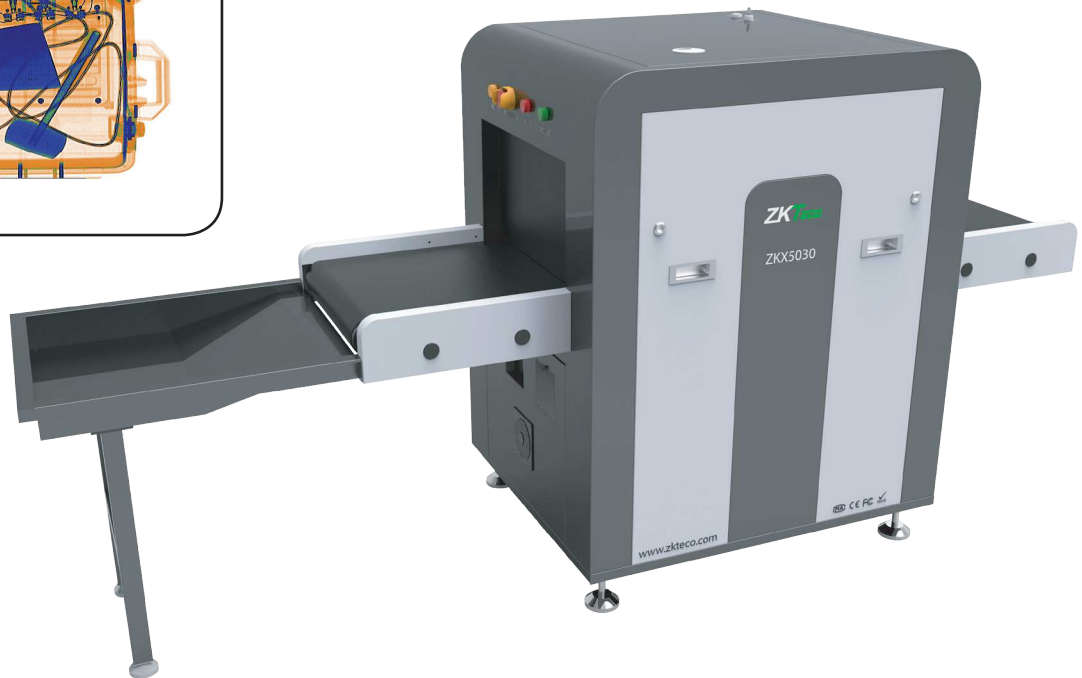
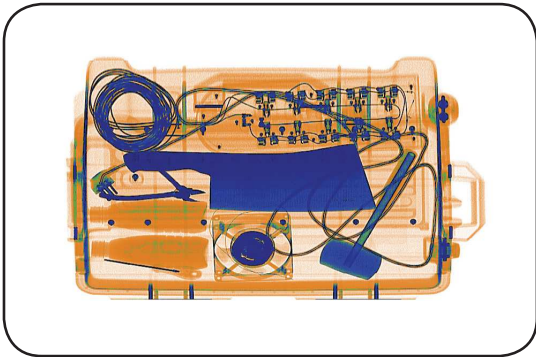


# Single Energy X-ray Inspection System

## ZKX5030A



### Highlights

- Offer higher Wire Resolution with HAMAMATSU® X-ray detector
- Pseudo-color scanning image
- Widely usable for small parcels
- Excellent, ergonomic industrial design

### Standard

- Energy Saving Mode

### Optional

- Bidirection scan
- Electrical weighing system
- Fingerprint Console Board
- Console Desk

### Introduction

ZKX5030A X-ray inspection system increases the operator's ability to identify potential threats; the device is designed to scan briefcases, carry-on baggage, small cargo parcels.

ZKX5030A uses reliable high quality single energy X-ray generator. With the superb image algorithm, ZKX5030A could offer clear scanning image, which allows operators to identify potential threat items visually.

With ergonomic modern design, ZKX5030A could help operators to identify suspicious items fast and accurately.

*\* Kindly note: ZKX5030A equipped with a computer keyboard*

## Specifications

<b>Tunnel Size</b>	W507mm × H305mm
<b>Speed</b>	0.20 m/s
<b>Height of Transmission Belt</b>	1000 mm
<b>Maximum Load</b>	≤120 Kg (Adequate distribution)
<b>Wire Resolution</b>	34 AWG (0.16mm metal wire)
<b>Space Definition</b>	Horizontal Φ1.0mm \ Vertical Φ2.0mm
<b>Penetrate Definition</b>	32 AWG
<b>Penetration</b>	8mm Steel board
<b>Monitor</b>	17 inch LED
<b>System Function</b>	High density alarm, TIP, Luggage counter, System running timer, X-ray emitting timer, System maintenance, Training, 64 times continuous zoom in
<b>Film Safety</b>	ASA/ISO1600 standard of film safety

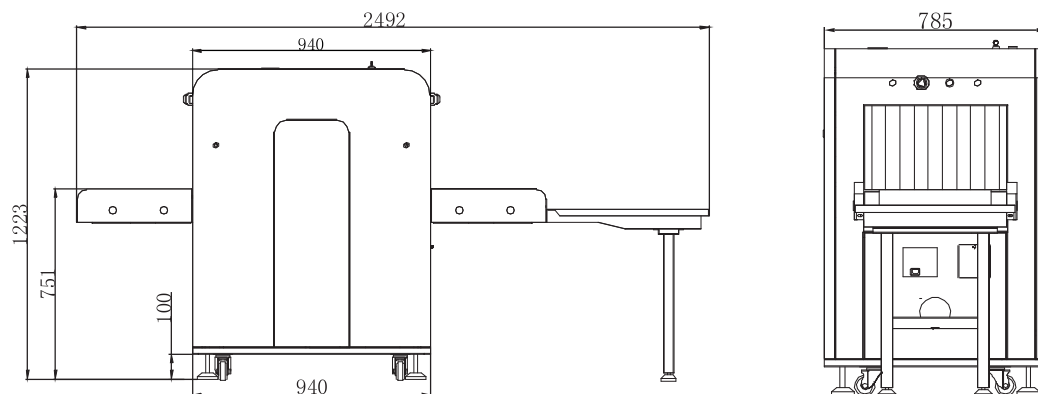
## X-ray System

<b>Tube Voltage</b>	80 Kv
<b>Cooling</b>	Seal oil cooling / %100
<b>Single Inspection Dosage Rate</b>	≤1.0 μ Gy
<b>Radiation Leak Dosage</b>	0.1μ Gy/h (5cm from the shell)

## Installation Specification

<b>Package Size</b>	L1900mm × W990mm × H1320mm
<b>Package Weight</b>	410 KG
<b>Power Consumption</b>	1 kVA
<b>Noise</b>	53.8 dB(A)

## Dimension



More details

ZKTECO CO.,LTD.  
www.zkteco.com  
E-mail: sales@zkteco.com

© Copyright 2016. ZKTECO CO., LTD. ZKTECO Logo is a registered trademark of ZKTECO or a related company. All other product and company names mentioned are used for identification purposes only and may be the trademarks of their respective owners. All specifications are subject to change without notice. All rights reserved.

