



FV350

Multi-biometric Finger Vein and Fingerprint recognition technology based Standalone Access Control Reader

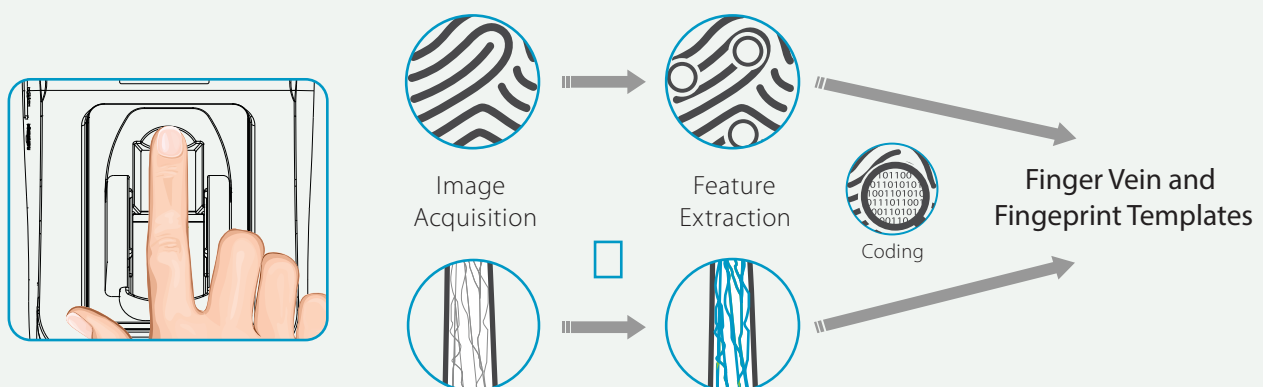
FV350 is a multi-biometric reader capable of capturing and processing finger vein and fingerprint biometric data at the same time. Ergonomic, intuitive and highly secured, FV350 leads us to a new era of enhancing security with biometrics. Its infra-red rays illuminates the vein pattern which is then converted into a biometric template. Both the vein and fingerprint templates are then stored in the database for subsequent matching.

Features

- Multi-biometric reader with finger vein and fingerprint authentication
- Unsurpassed performance with highly accurate finger vein recognition technology
- Intuitive graphical user interface and touch screen display for rich user experience
- Can store upto 1000 vein and 1000 fingerprints and identify in less than 2 seconds
- Complete built in Access Control functionality and can operate without a dedicated computer.
- Flexibility to use any of the three credentials i.e. finger vein, fingerprint and password
- Advanced access control functions based on time zones, groups and unlock combinations

Multi-Biometric features extraction process:

Press the finger on the sensor → Capture both fingerprint and finger vein images → Get the unique points and generate templates → Compare that templates with the data which in device's database → Show the result on the device screen.



Specifications

Core board	ZMM220
CPU	1.2GMHz
Communication	TCP/IP, RS485
Vein Capacity	1,000
Fingerprint Capacity	1,000
RF Card	EM, Mifare (optional 2,000)
Authentication	Finger vein, fingerprint, password, card (optional)
Auxiliary terminal	1 Aux. input
Wiegand	Wiegand in and out
Display	-2.8inch capacitive screen
Operating Voltage	DC 12V 3A
Operating Temperature	°10-C ~ °45C
Dimensions	232mm×91mm×117mm(length×width×thickness)
SDK	PULL SDK (new firmware)

Optional Accessories



Exit Button



Break Glass Button



Electric Lock

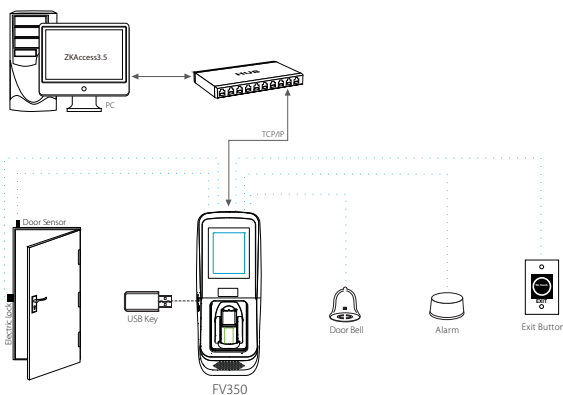


Alarm

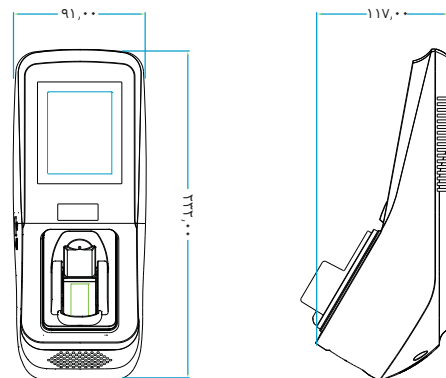


Sensor

Configuration



Dimensions (mm)



ZKTeco Inc.
E-mail: sales@zkteco.com
www.zkteco.com

© Copyright 2015 ZKTeco Inc. ZKTeco Logo is a registered trademark of ZKTeco or a related company. All other product and company names mentioned are used for identification purposes only and may be the trademarks of their respective owners. All specifications are subject to change without notice. All rights reserved.